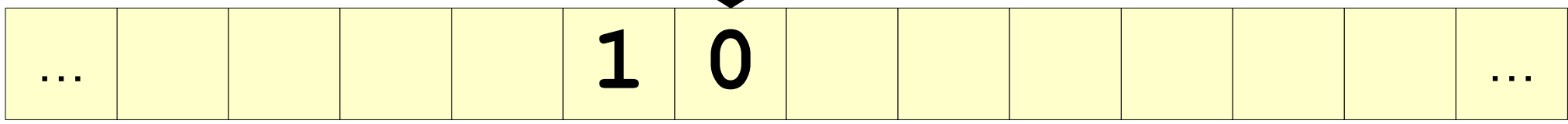
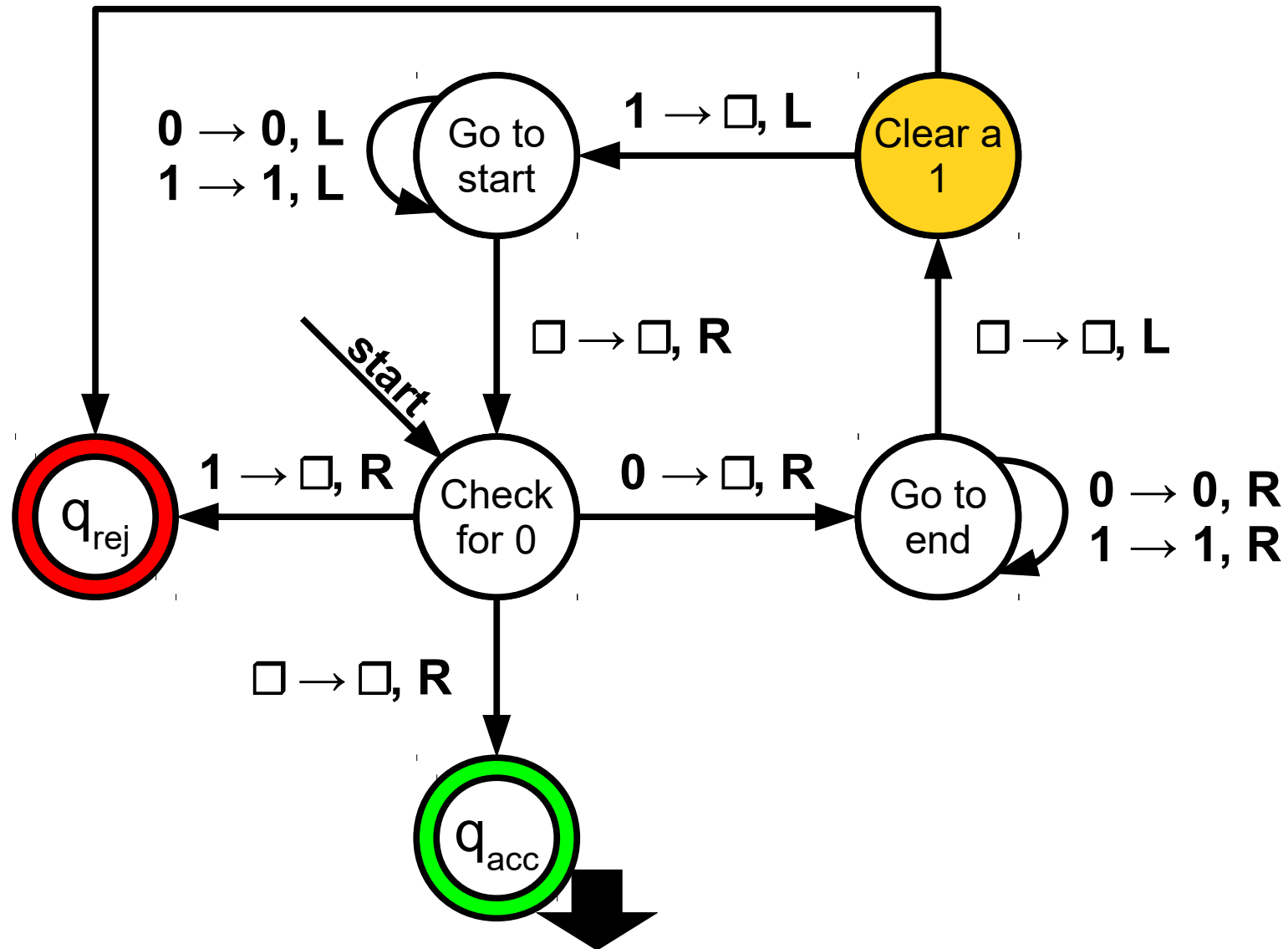


$\square \rightarrow \square, R$   
 $0 \rightarrow 0, R$



$\square \rightarrow \square, R$   
 $0 \rightarrow 0, R$

